



CONFIDENCE
at work

CENTURY
SEATING SYSTEM



BM1CA



BM2CA



BIG MAN

FEATURES:

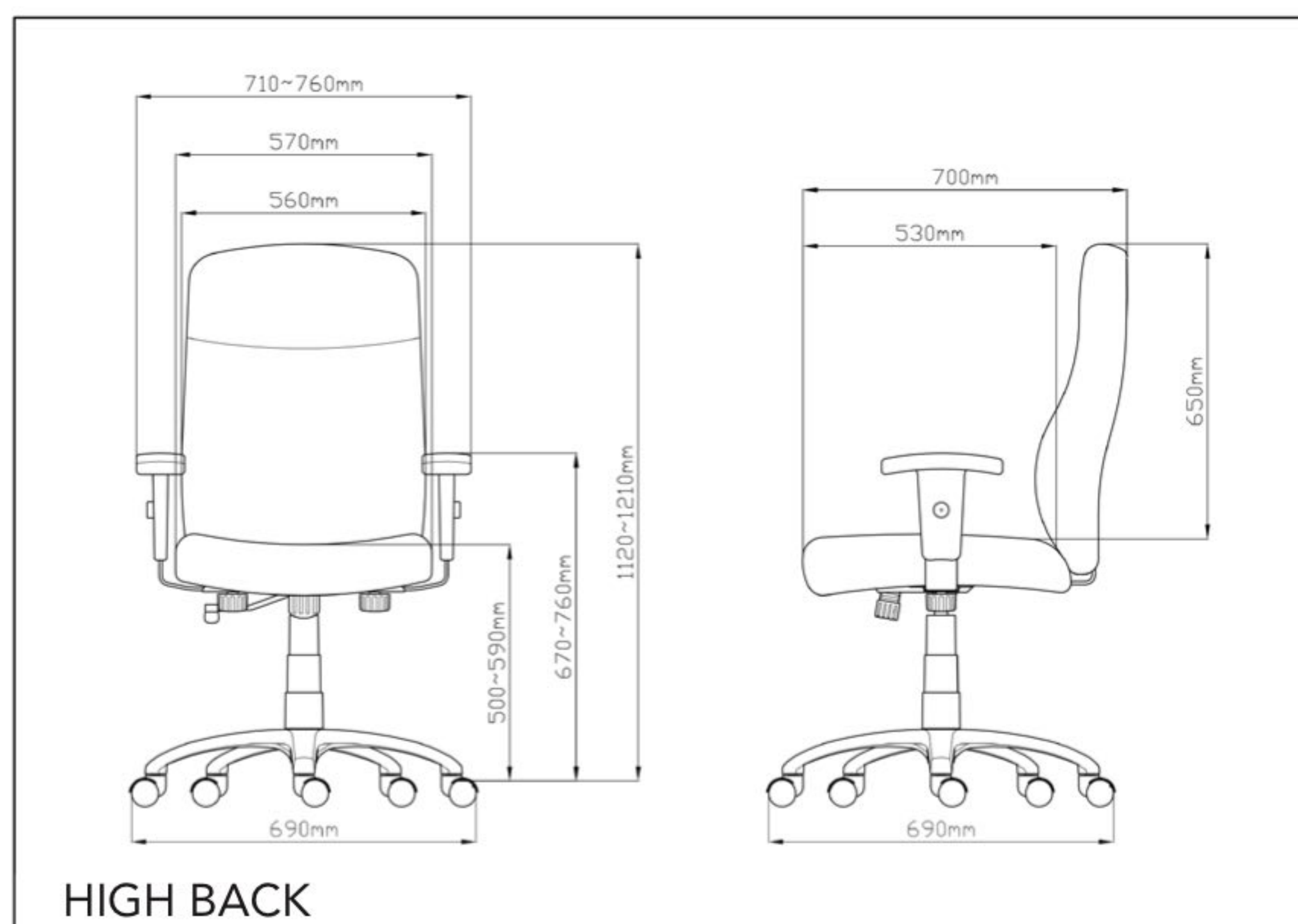
HIGH BACK:

- Silver aluminum base
- Height & width adjustable arms
- Swivel with height adjustment
- Black fabric only
- 180kg weight rating

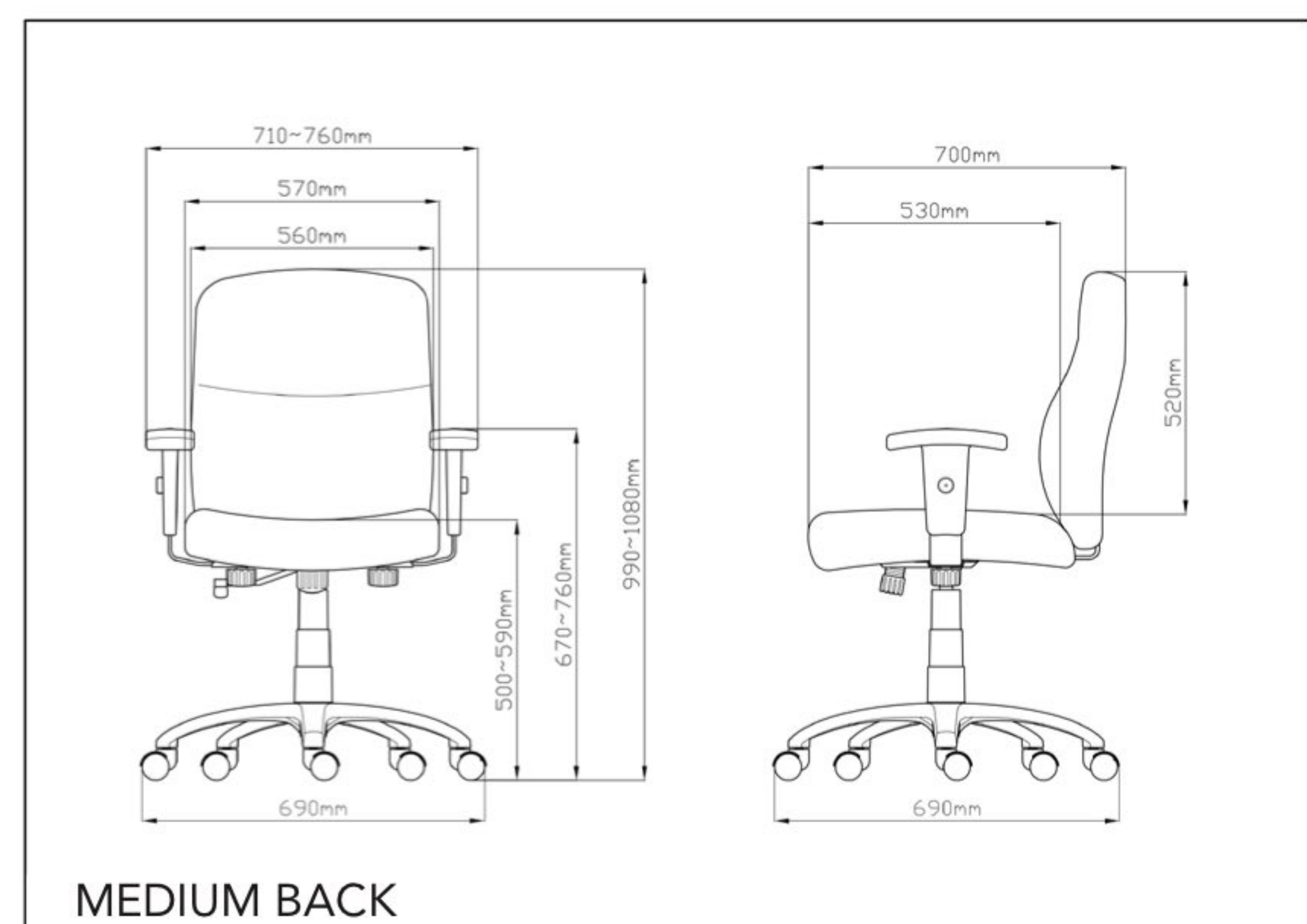


MEDIUM BACK:

- Silver aluminum base
- Height & width adjustable arms
- Swivel with height adjustment
- Black fabric only
- 180kg weight rating



HIGH BACK



MEDIUM BACK

02 9708 6163



www.centuryseating.com.au

All chairs are subject to change without prior notice. We reserve the right to change design, colours, specifications and dimensions without notice. v19-20

Note: All measurements are approximate and may vary slightly from the listed dimensions.